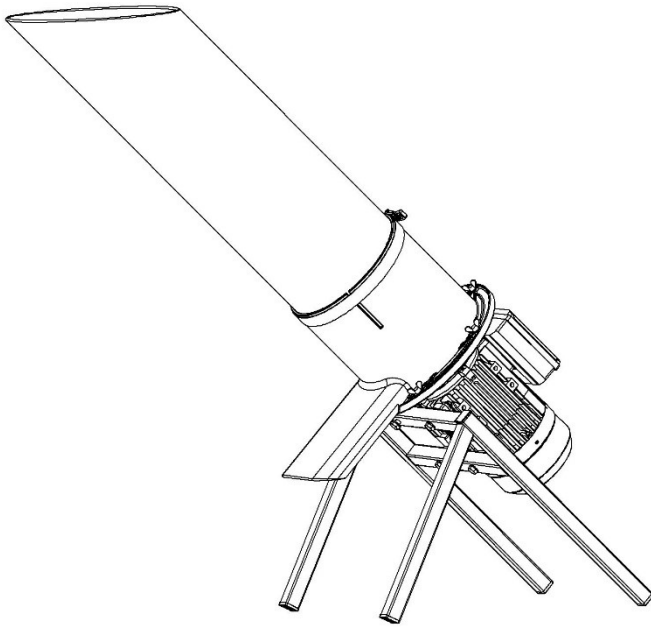


APSTER 2500



MASITO OÜ

EN Fruit crusher

Instuction Manual

5

Model	Apster 2500
Weight	35 Kg
Motor data	230V, 50Hz, 2200W, 2800Rpm
Maximum diameter for the fruits	150mm
Protection class	IP23

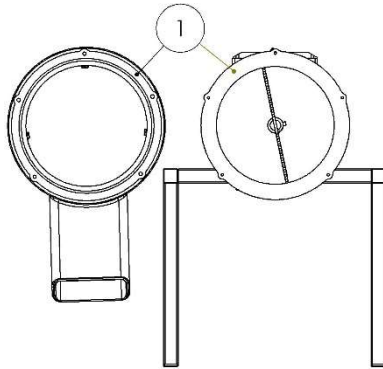


Fig. 1

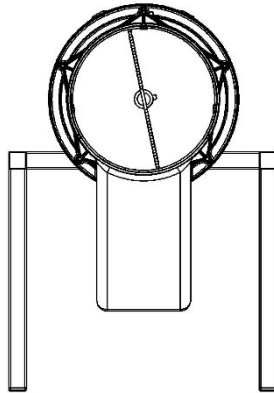


Fig. 2

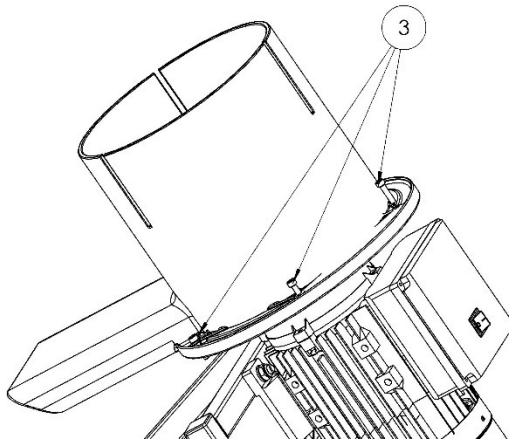


Fig. 3

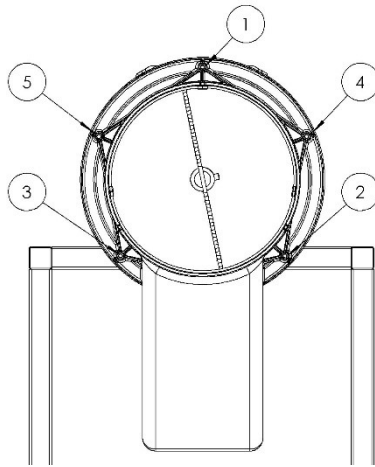


Fig. 4

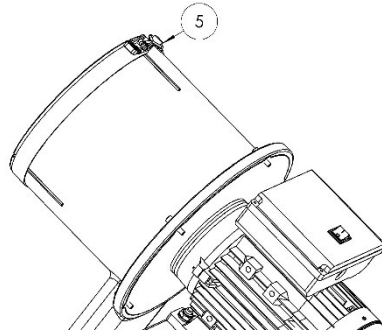


Fig. 5

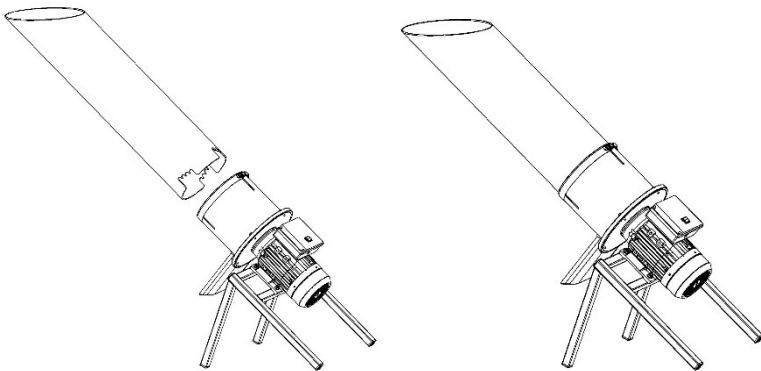


Fig. 6

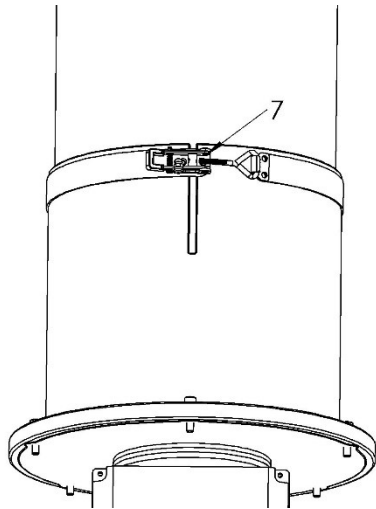


Fig 7

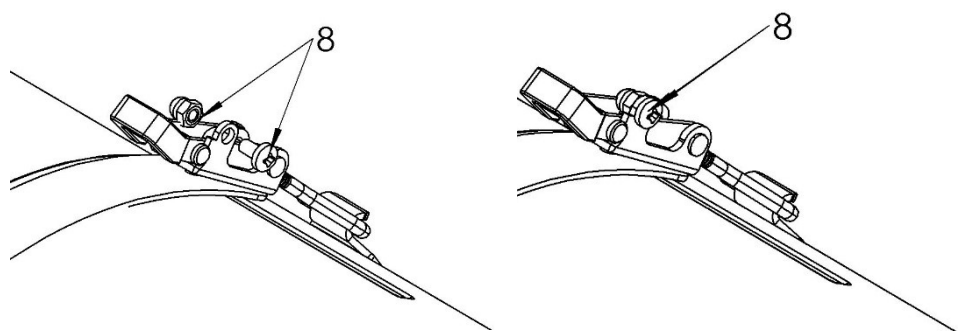


Fig 8

TO ENSURE THE SAFETY OF THE USER PLEASE READ CAREFULLY
THE INSTRUCTION AND MAINTENANCE MANUAL.

Description

Model: Apster 2500

Date of manufacturing: 05/2021

Voltage 230-240V/50-60Hz

Motor wattage: 2200W

Crushing blade speed: 2800spm

IP class: IP44

Weigh 35kg

Productivity up to 6000l/h

Feeding pipe diameter 250mm

Apster 2500 is built to crush apples and other fruits and vegetables. Fruits are inserter to the insertion pipe using a bucked. The crushed mass is exhausted to the container placed below the exhaust port.

Before operating the machine read the manual and be sure to understand them correctly.

Safety:



Read the instruction and maintenance manual before operating the machine.



Danger of injury due to flying of splashing particles



Turning parts may crush and cut. Do not place hands near turning parts!



Before regulating or cleaning the machine, unplug the machine. Do not leave unattended machine into the grid.



While operating the machine use a protection mask that covers the whole face.



While operating the machine use eye and ear protection.



Use gloves while operating the machine



Do not operate the machine in damp or wet environment.



Do not remove protective covers and clamps.

Intended use

Starting the machine: Starting the machine is done using the switch on motor plastic housing. Switching the machine on is done by pushing the button marked **I**. Switching the machine off is done using the button marked **O**.

Working place: The workplace where the machine is operated must be well lit, planar and smooth and must not have disturbing factors. Keep children and third persons away from the machine while operated.

Maintenance: On the maintenance field it is not allowed to connect the machine to the electrical grid. The power inlet cable must be disconnected. Machine is cleaned using flowing water. Do not expose water out of the crushing mechanism.

Warnings: Before connecting the machine to the grid, check the power cable for injuries and fitment with the wall outlet socket.

Transportation: While relocating the machine, lift the machine from the frame. Machine can not be lifted by the motor, motor plastic cover or feeding pipe. Before transporting the machine be sure to check if the machine is unplugged. If not, unplug the machine before relocating. Be sure do not harm the power cord while transportation. Fasten the machine by frame using special equipment.

Emergencies: When emergency happens contact immediately to the emergency number and act according to the instructions. When the machine catches fire disconnect the power cord and use fire extinguisher that is suitable for electrical devices.

Environmental conditions: Machine is meant to work both in- and outdoors. The machine is meant to be used in dry environment between 0C to +30C degrees.

User competence: No special training is needed to operate the machine. Operator must be grown-up and in well health. Drunk, un-sober and mentally ill persons are not allowed to operate the machine.

Noise: Machine noise level without inserting the fruits to the crusher is 65dB. While crushing the noise level may get up do 82dB.

Service and maintenance: The service and maintenance is not allowed to be done without special training. Apster 2500 service provider is Masito OÜ. Address Gonsiori 31a, Tallinn, Estonia, Postal index 10147.

Disposal: Machine is not allowed to dump to municipal waste bin. User is obliged to dispose the machine in electronics waste collection point.

Preservation: Before packing the machine for longer period be sure to clean the machine thoroughly and keep it in a dry and clean environment between -40 to +40°C

Reconstruction: Modifying the machine without the permission from the original manufacturer is prohibited.

Assembling the machine



Be sure that the machine is disconnected from the grid and the power button is switched off!

- 1) Make sure that the surfaces of the crushing chamber and the mounting plate are clean and undamaged. **Picture 1.**
- 2) Place the crushing chamber on the motor mounting plate so that the discharge opening is perpendicular to the ground and the bolt holes of the crushing chamber and the motor mounting plate are aligned. **Picture 2.**
- 3) Insert the crushing chamber locking bolts (5 pcs) and turn the bolts with equally small force until the sealing surface of the crushing chamber is against the motor mounting plate. **Picture 3**
- 4) Tighten the crushing chamber locking bolts in the order shown. **Picture 4**
- 5) Install the tensioner on the crushing chamber. **Picture 5.**
- 6) Install the feeding tube. **Picture 6.**
- 7) Adjust the lock on the breaker bar so that the tensioner stays tight after the clip is closed. Check the tightness of the pig by pulling the feeding tube out of the chamber. The feeding tube must not move. **Picture 7.**
- 8) Install and tighten the locking bolt on the lock and install the cap nut. **Picture 8.**

Disassembling the machine

Disassembly of the machine is done on the opposite way from the assembly process. Follow the steps from 6 to 1.

Operating the machine

- **Check always before assembling and moving that the machine is plugged out from the grid and power switch is off!**
- **To switch the machine off, press the power switch to off position. Marked O.**
- Place the machine to stable and planar ground. Be sure that the feeding pipe and crushing housing are empty.
- Be sure to follow all the instructions shown in this manual.
- Check the tensioning clamps and locks, bolts to be tensioned and in its intended positions.
- Place a container under the machines exhaust port
- Connect the machine to the power grid
- Insert the fruits to the machine using bucket or similar vessel.
- Try to feed the machine constantly for the best efficiency. Try not to leave the machine working in half loaded situation.
- When the bin under exhaust port is full or the wanted fruits are crushed, turn the machine off.

Maintenance



Do not use high-pressure washer!

After every usage of the machine, clean the feeding pipe and crushing housing lukewarm flowing water. The details that are dirtier can be washed using neutral soap. Afterwards be sure to clean the details.

For cleaning the crushing mechanism disassemble the machine. Use lukewarm flowing water to clean the crusher mechanism. Avoid direct water stream to the motor and outside of the crusher mechanism. Details that need deeper cleaning can be washed using neutral soap and a brush. Afterwards be sure to dry the details and leave them in well ventilated room.